

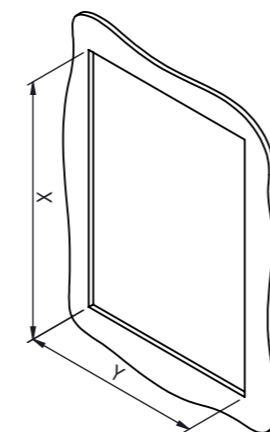
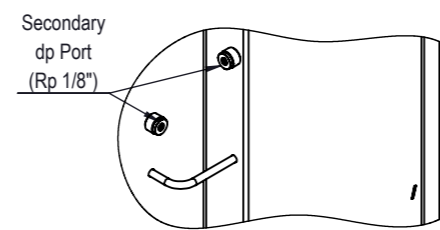
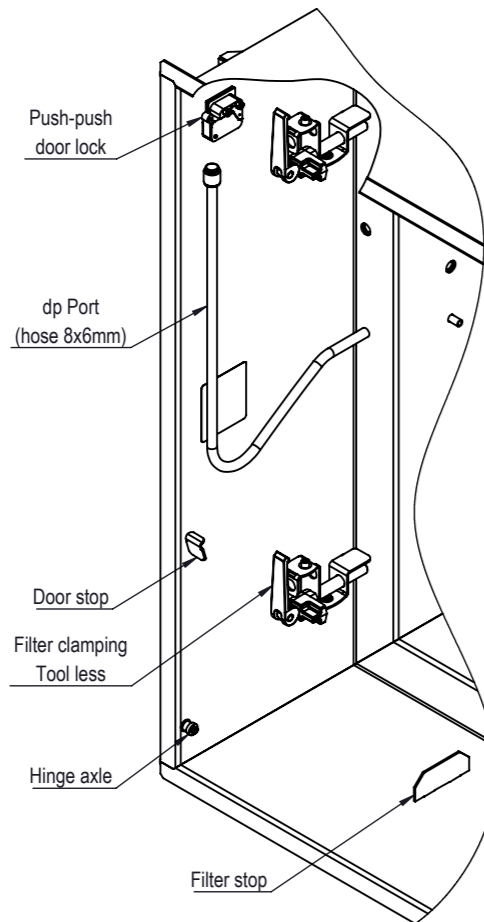
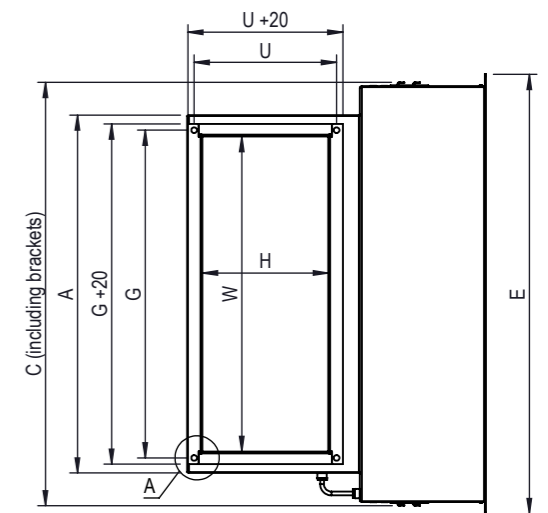
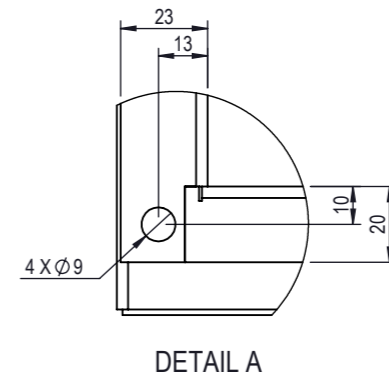
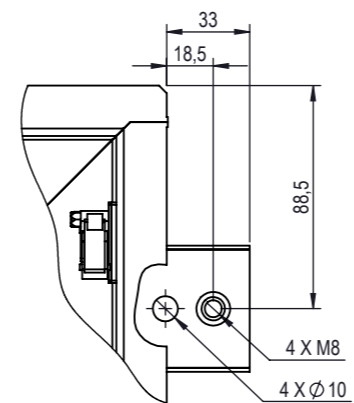
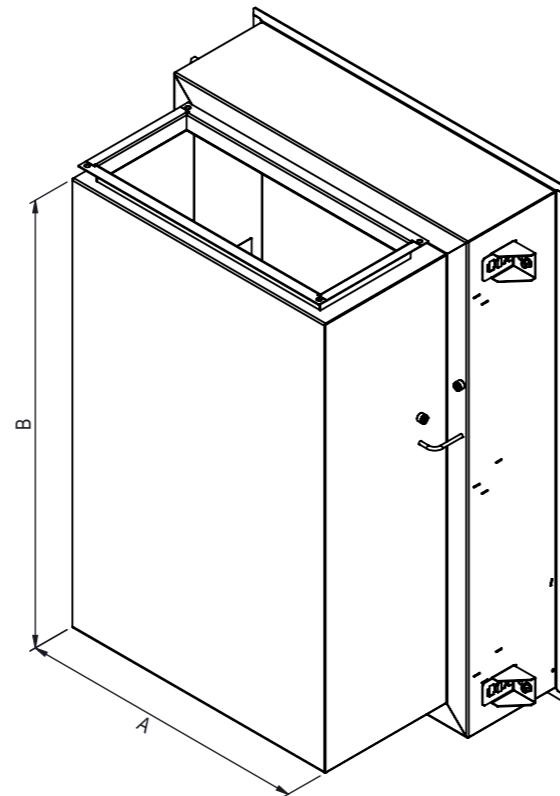
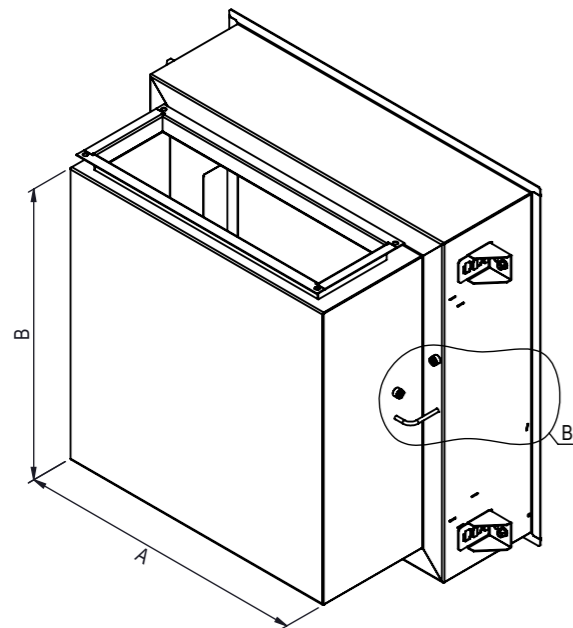
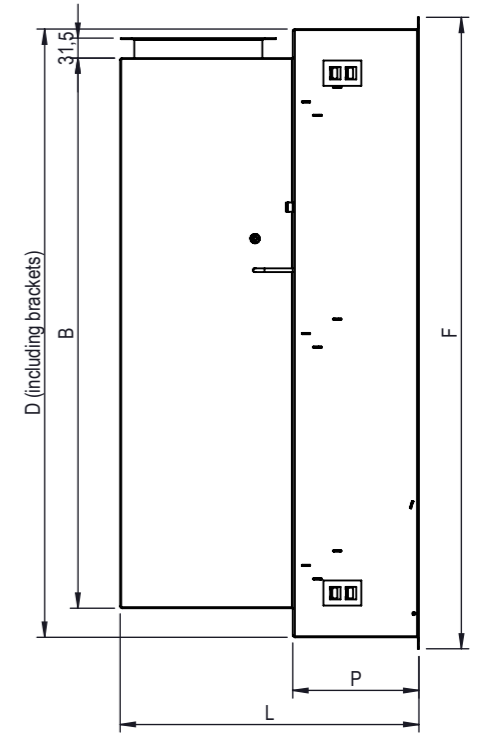
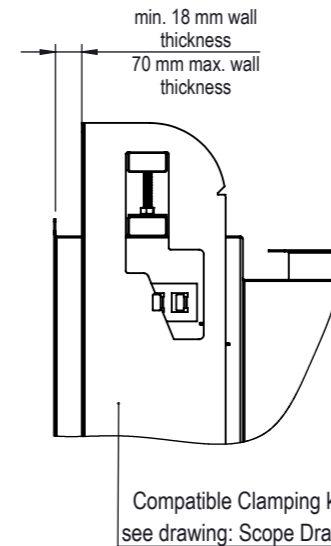
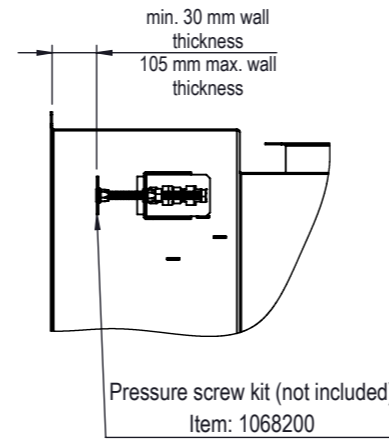
CR - xx - xPx - P - xx - R - xxxx

Hood body material	
SW	SteelWhite RAL9010
S4	SS 304
S6	SS 316L

Filter front size	
3P3	305x305
3P6	305x610
6P6	610x610
9P6	915x610

Filter frame height	
MD-66 (Standard)	78
MX-90	
MG-110	

Air outlet size		
Type	Dimension	Available for
2010	200x100	3P3
2020	200x200	3P6
5015	500x150	6P6
5020	500x200	9P6



Recommended installation opening

Size	X	Y
3P3	359	374
3P6	664	374
6P6	664	679
9P6	969	679

	Opening W x H		CAD Reference	L	P	A	B	C	D	E	F	G x U		Weight [kg]
3P3	200	100	CR-V3-3P3-P-S-R-200x100	387	213	263	263	367	355	392	392	220	126	9
3P6	200	200	CR-V3-3P6-P-S-R-200x200	474	200	263	568	367	660	392	697	220	226	15
6P6	500	150	CR-V3-6P6-P-S-R-500x150	424	200	568	568	672	660	697	697	520	176	19
9P6	500	200	CR-V3-9P6-P-S-R-500x200	474	200	568	873	672	965	697	1002	520	226	26



DESCRIPTION			
CleanSeal Exhaust - PU - Side Rectangular			
PROJECT	LAST REVISION	WEIGHT	
	25.10.2021	see table	
DRAWING REF.	SHEET	SIZE	SCALE
Scope Drawing - CR-V3-P	1/5	A3	

Compatible Door (see drawing):
Scope Drawing - CR-Add on

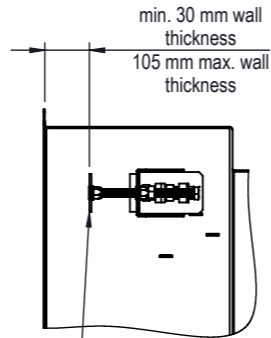
NB: The copyright of this drawing remains with Camfil. Contents must not be used, copied or disclosed to third parties without prior written consent. All rights reserved.

CR - xx - xPx - P - xx - N

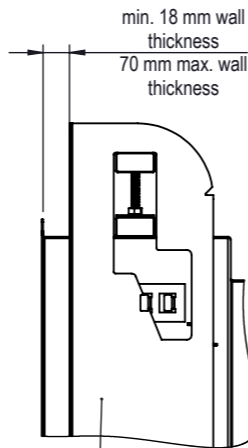
Hood body material	
SW	SteelWhite RAL9010
S4	SS 304
S6	SS 316L

Filter front size	
3P3	305x305
3P6	305x610
6P6	610x610
9P6	915x610

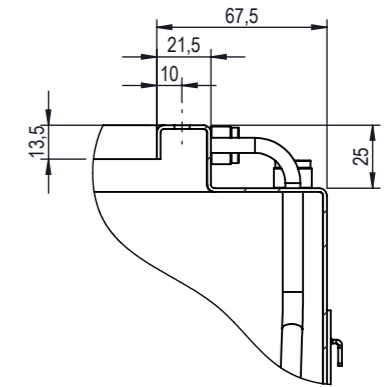
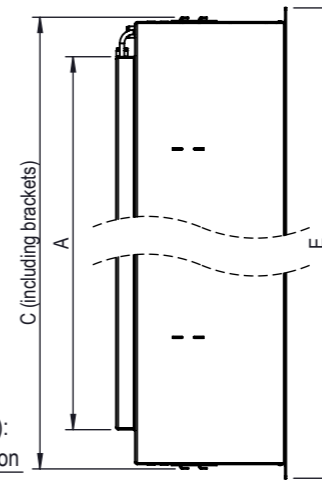
Filter frame height	
MD-66 (Standard)	
78	
MX-90	
MG-110	



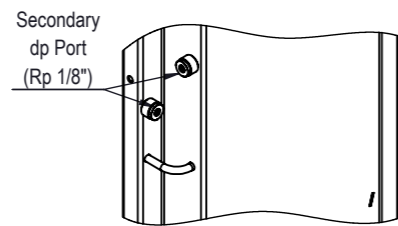
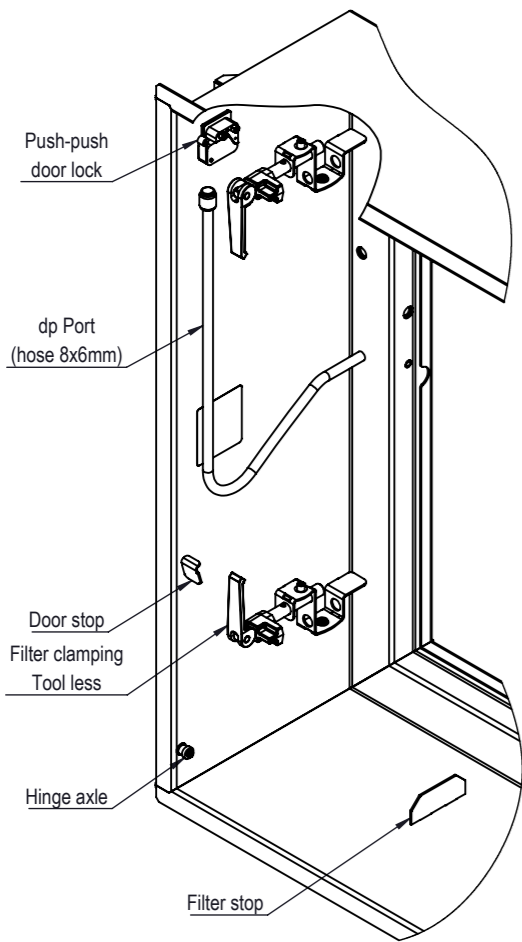
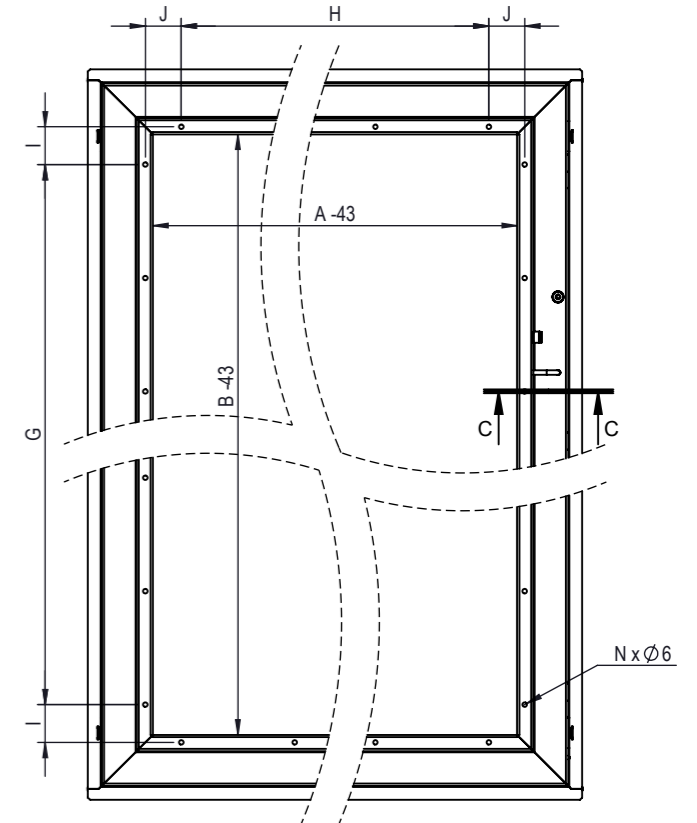
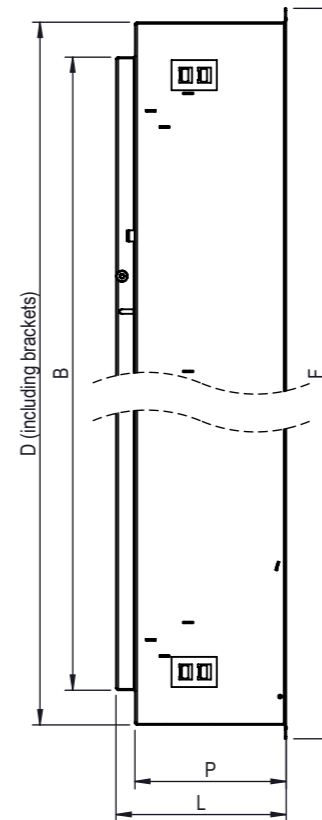
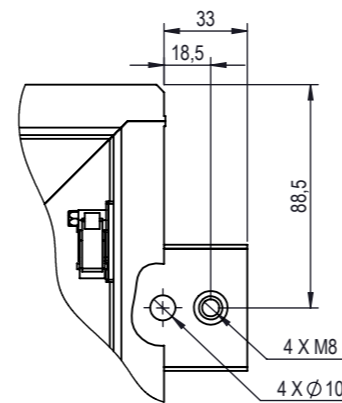
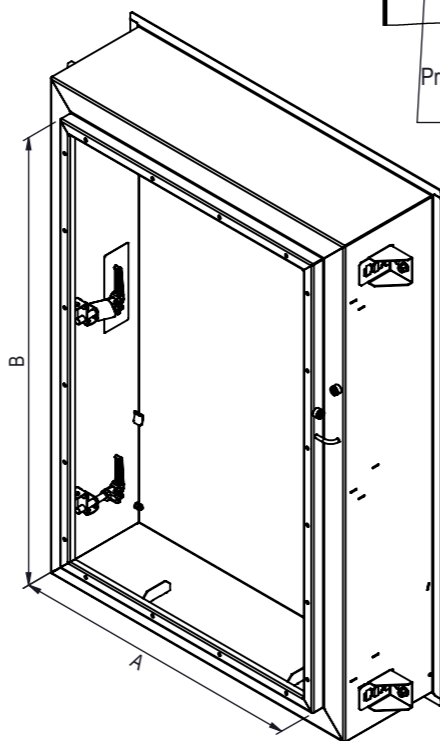
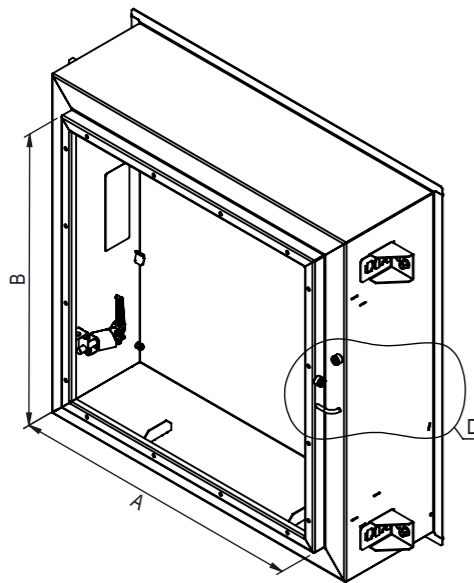
Pressure screw kit (not included)
Item: 1068200



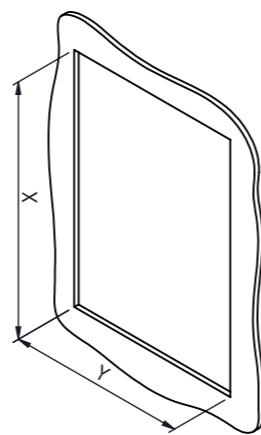
Compatible Clamping kit (not included):
see drawing: Scope Drawing - CR-Add on



SECTION C-C



DETAIL D



Recommended installation opening

Size	X	Y
3P3	359	374
3P6	664	374
6P6	664	679
9P6	969	679

	CAD Reference	L	P	A	B	C	D	E	F	G	H	I	J	N	Weight [kg]
3P3	CR-NP-V3-3P3-P-A	238	213	263	263	367	355	392	392	150	150	45	45	8	6
3P6	CR-NP-V3-3P6-P-A	225	200	263	568	367	660	392	697	3 x 150 = 450	150	47,5	45	12	8
6P6	CR-NP-V3-6P6-P-A	225	200	568	568	672	660	697	697	3 x 150 = 450	3 x 150 = 450	47,5	47,5	16	11
9P6	CR-NP-V3-9P6-P-A	225	200	568	873	672	965	697	1002	5 x 150 = 750	3 x 150 = 450	50	47,5	20	13

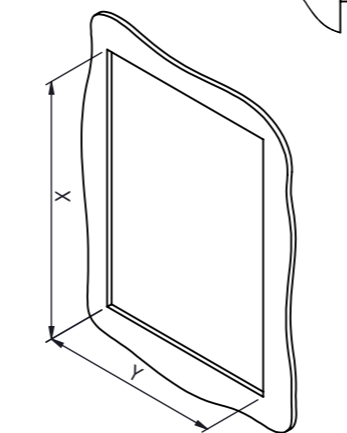
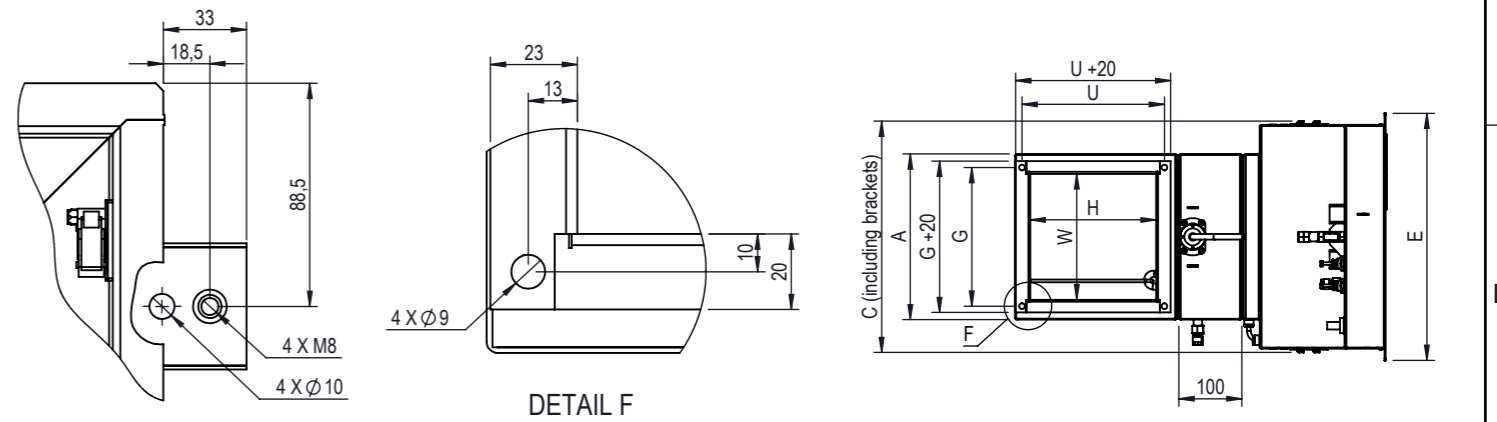
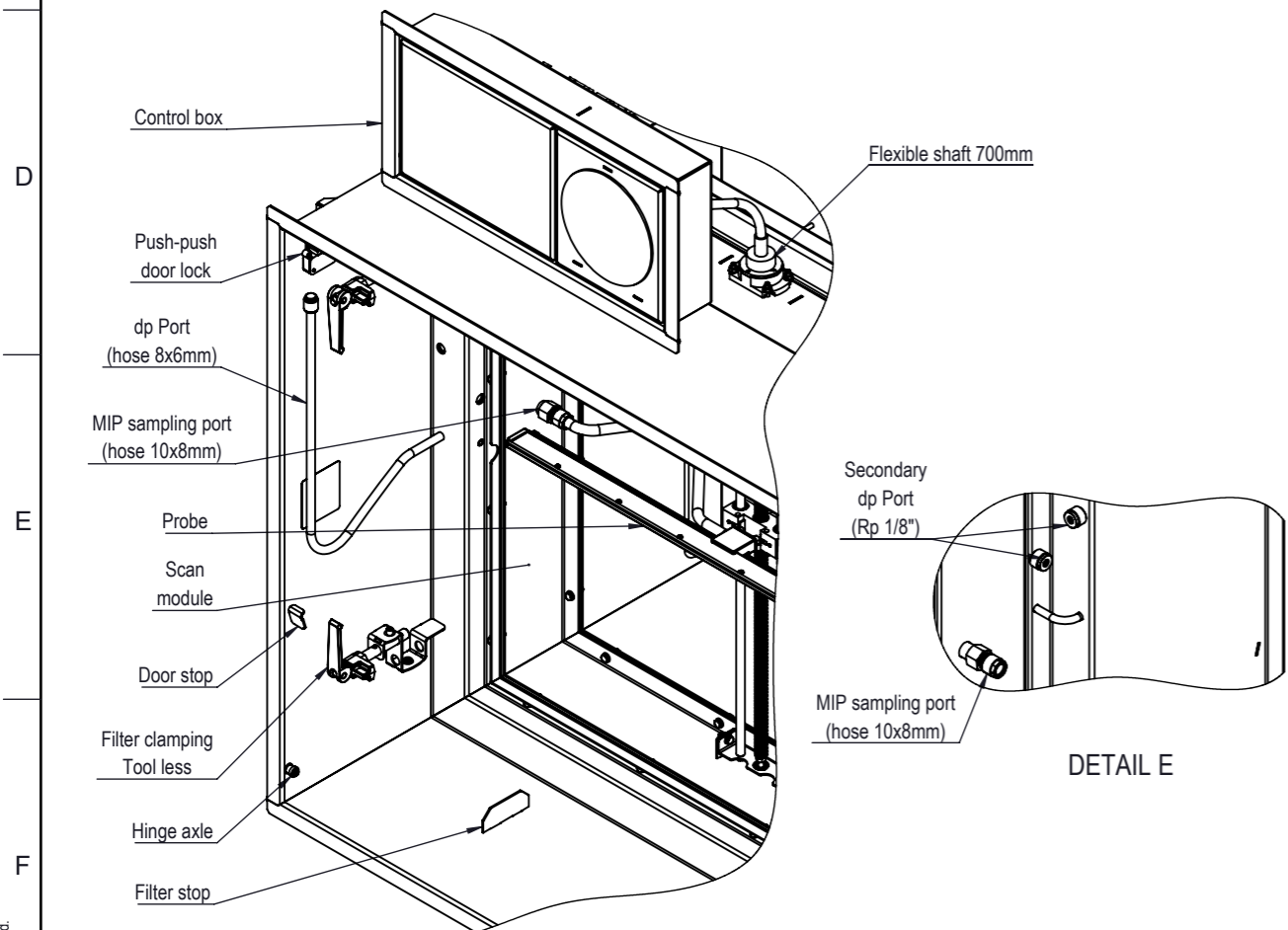
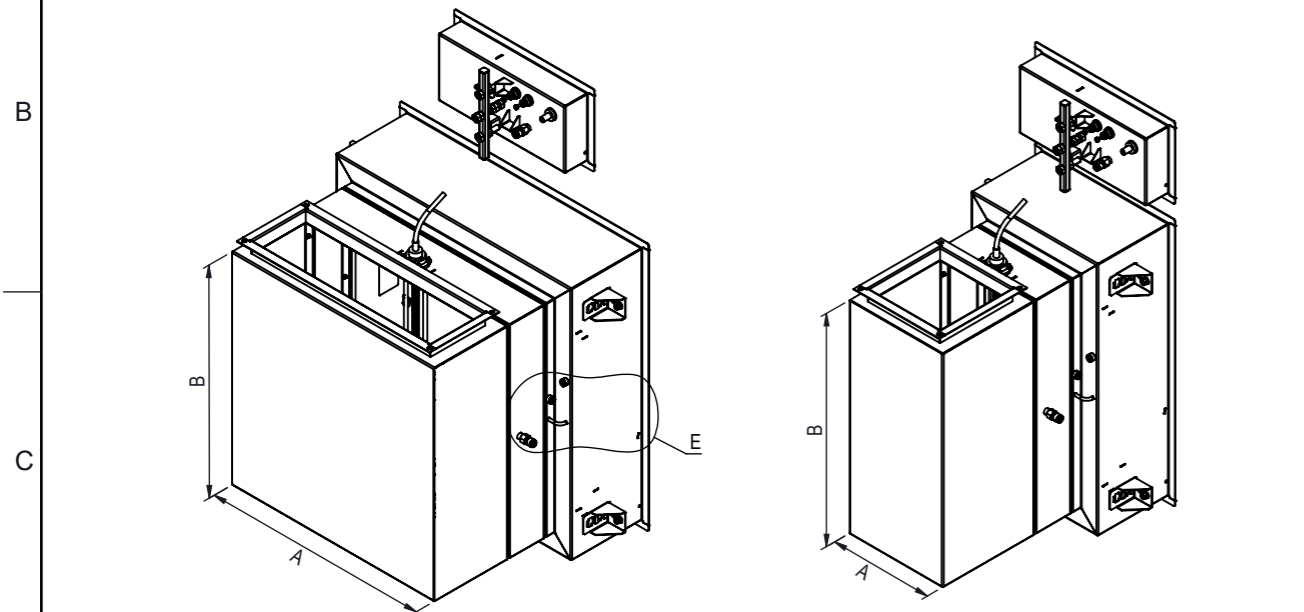
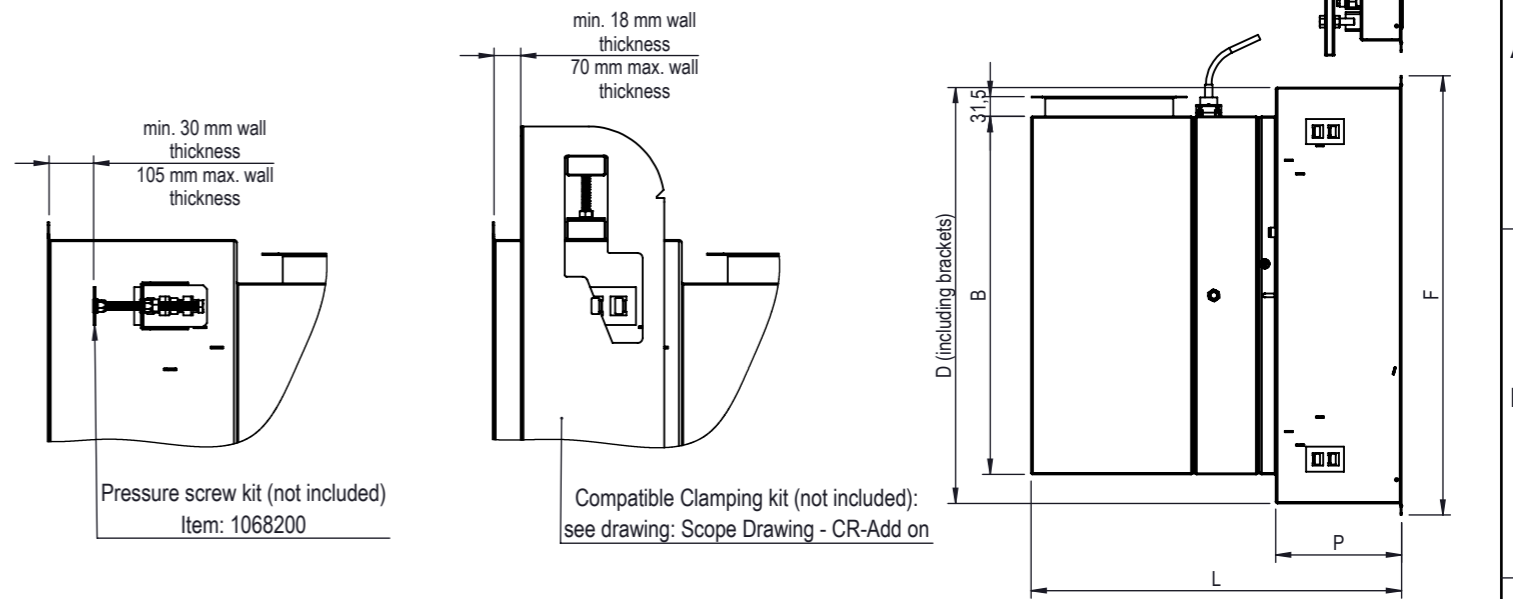


DESCRIPTION CleanSeal Exhaust - PU - No Plenum			
PROJECT	LAST REVISION	WEIGHT	
25.10.2021	see table		
DRAWING REF.	SHEET	SIZE	
Scope Drawing - CR-V3-P	2/5	A3	SCALE

NB: The copyright of this drawing remains with Camfil. Contents must not be used, copied or disclosed to third parties without prior written consent. All rights reserved.

CR - xx - xPx - P - xx - R - xxxx - M

Hood body material		Filter front size		Filter frame height		Air outlet size		
SW	SteelWhite RAL9010	3P3	305x305	MD-66 (Standard)	Type	Dimension	Available for	
S4	SS 304	3P6	305x610	78	2010	200x100	3P3	
S6	SS 316L	6P6	610x610	MX-90	2020	200x200	3P6	
				MG-110	5015	500x150	6P6	



Recommended installation opening

Size	X	Y
3P3	359	374
3P6	664	374
6P6	664	679

	Opening W x H	CAD Reference	Probe size	L	P	A	B	C	D	E	F	G x U		Weight [kg]
3P3	200 100	CR-MIP-V3-3P3-P-A	P3	501	213	263	263	367	355	392	392	220	126	16
3P6	200 200	CR-MIP-V3-3P6-P-A	P3	588	200	263	568	367	660	392	697	220	226	24
6P6	500 150	CR-MIP-V3-6P6-P-A	P6	538	200	568	568	672	660	697	697	520	176	30



DESCRIPTION			
CleanSeal Exhaust - PU - MIP Wall			
PROJECT	LAST REVISION	WEIGHT	
	25.10.2021	see table	
DRAWING REF.	SHEET	SIZE	SCALE
Scope Drawing - CR-V3-P	3/5	A3	

NB: The copyright of this drawing remains with Camfil. Contents must not be used, copied or disclosed to third parties without prior written consent. All rights reserved.

Control box and Flexible shaft 700mm included
Control box details, see page: CleanSeal Exhaust - Control box
MIP related add-ons, see drawing: Scope Drawing - CR-Add on

CL - xx - xPx - P - xx - x - xxxx - M

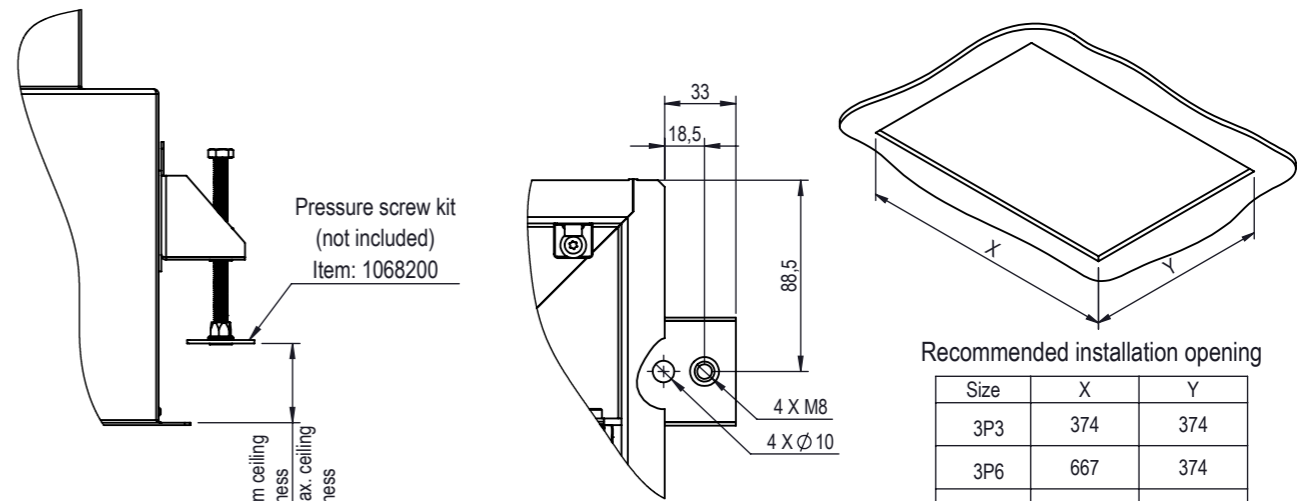
Hood body material	
SW	SteelWhite RAL9010
S4	SS 304
S6	SS 316L

Filter front size	
3P3	305x305
3P6	305x610
5P5	508x508
6P6	610x610

Filter frame height	
MD-66 (Standard)	78
MX-90	
MG-110	

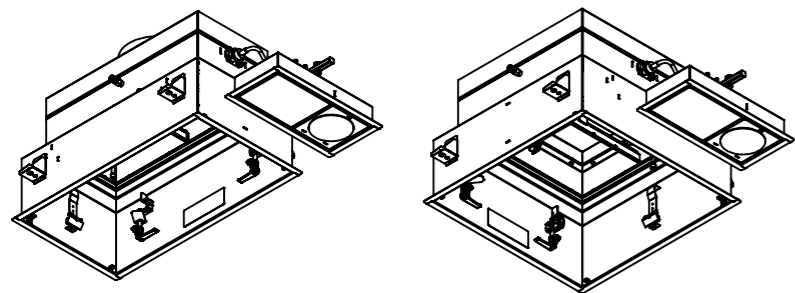
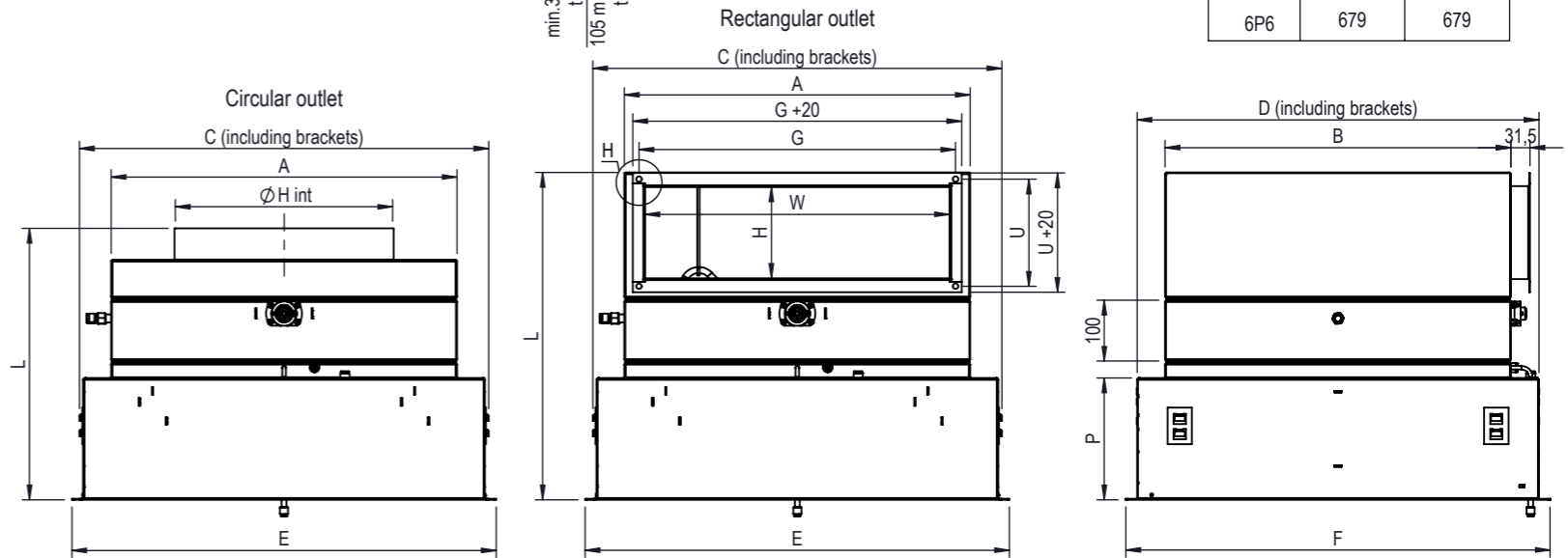
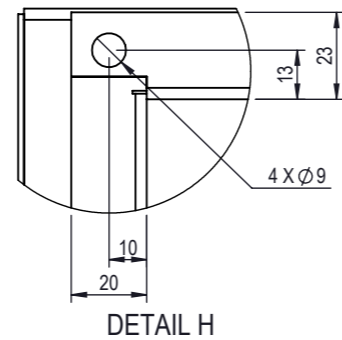
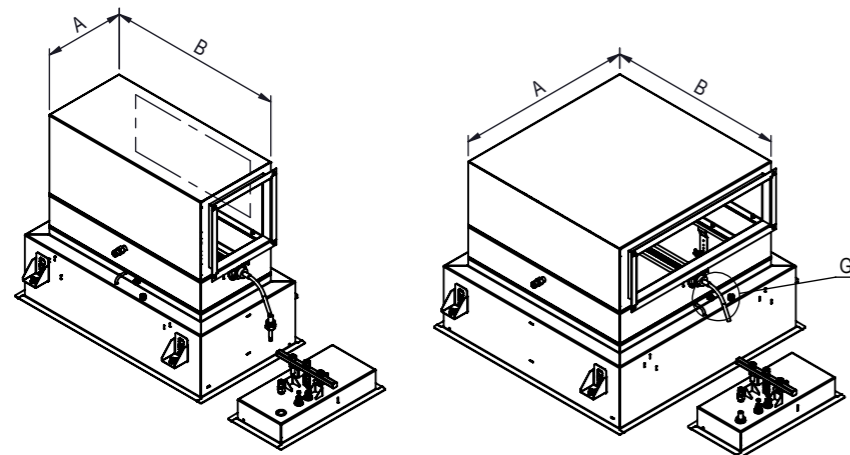
Air outlet	
C-circular	
R-rectangular	

Air outlet size		
Type	Dimension	Available for
0160	∅ 160	3P3,
0200	∅ 200	3P3, 3P6
0250	∅ 250	3P6, 5P5, 6P6
0315	∅ 315	5P5, 6P6
0355	∅ 355	6P6
2010	200x100	3P3
2020	200x200	3P6
3510	350x100	3P6
4015	400x150	5P5
5015	500x150	6P6

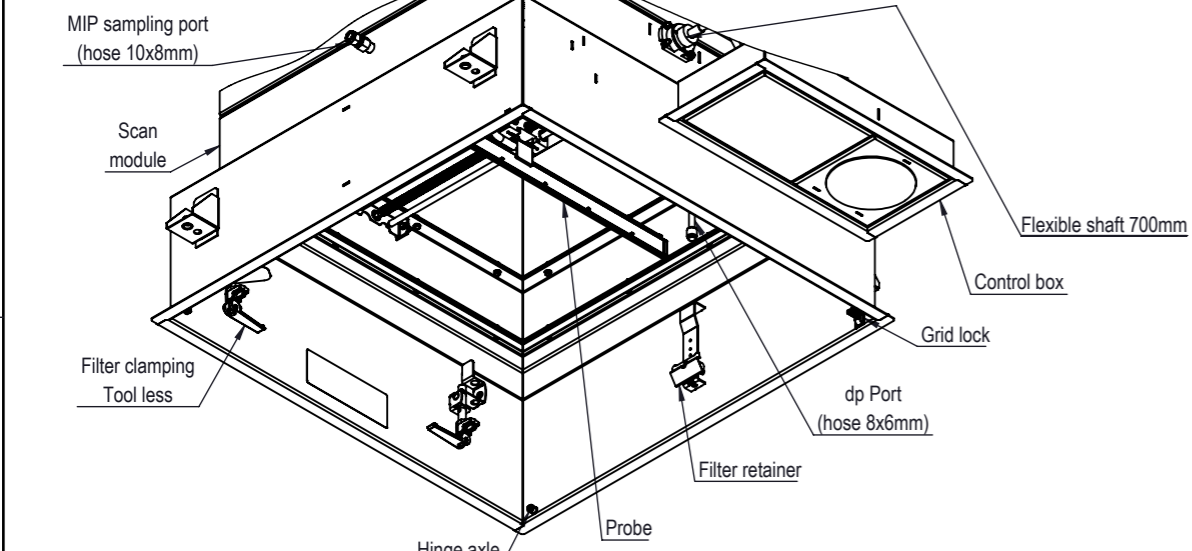


Recommended installation opening

Size	X	Y
3P3	374	374
3P6	667	374
5P5	577	577
6P6	679	679



	Opening		CAD Reference	Probe size	L	P	A	B	C	D	E	F	G x U		∅ H int	Weight [kg]
	W x H	CIRC.														
3P3	-	160	CL-MIP-V3-3P3-P-T-C-160	P3	446	200	263	263	367	355	392	392	-	-	∅ 162	15
	-	200	CL-MIP-V3-3P3-P-T-C-200										∅ 202			
	200	100	CL-MIP-V3-3P3-P-S-R-200x100										220	126	-	16
3P6	-	200	CL-MIP-V3-3P6-P-T-C-200	P3	446	200	263	568	367	660	392	697	-	-	∅ 202	20
	-	250	CL-MIP-V3-3P6-P-T-C-250										∅ 252			
	200	200	CL-MIP-V3-3P6-P-S-R-200x200-SS										220	226	-	24
5P5	-	250	CL-MIP-V3-5P5-P-T-C-250	P5	446	200	466	466	570	558	595	595	-	-	∅ 252	22
	-	315	CL-MIP-V3-5P5-P-T-C-315										∅ 317			
	400	150	CL-MIP-V3-5P5-P-S-R-400x150										420	176	-	25
6P6	-	250	CL-MIP-V3-6P6-P-T-C-250	P6	446	200	568	568	672	660	697	697	-	-	∅ 252	26
	-	315	CL-MIP-V3-6P6-P-T-C-315										∅ 317			
	-	355	CL-MIP-V3-6P6-P-T-C-355										∅ 357			
	500	150	CL-MIP-V3-6P6-P-S-R-500x150										520	176	-	30



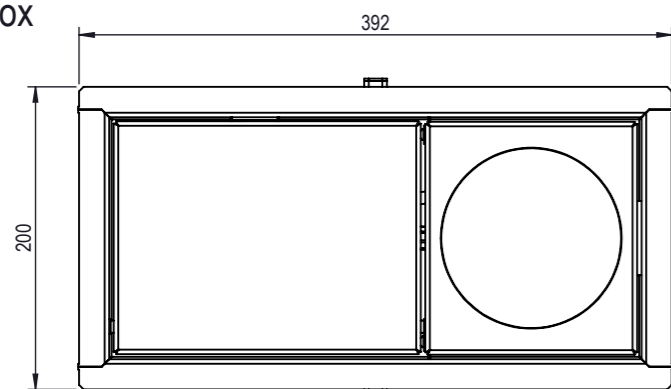
Control box and Flexible shaft 700mm included
Control box details, see page: CleanSeal Exhaust - Control box
MIP related add-ons, see drawing: Scope Drawing - CR-Add on



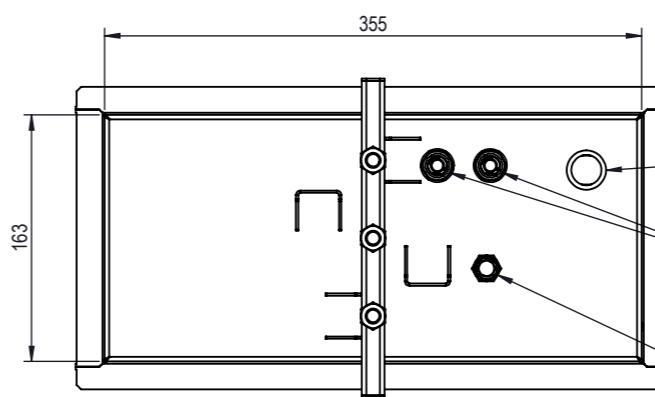
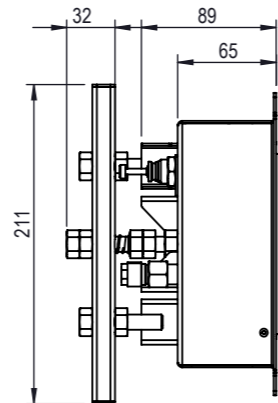
DESCRIPTION CleanSeal Exhaust - PU - MIP Ceiling			
PROJECT	LAST REVISION 25.10.2021	WEIGHT see table	
DRAWING REF. Scope Drawing - CR-V3-P	SHEET 4/5	SIZE A3	SCALE

NB: The copyright of this drawing remains with Camfil. Contents must not be used, copied or disclosed to third parties without prior written consent. All rights reserved.

Control box



Control box weight: 4kg

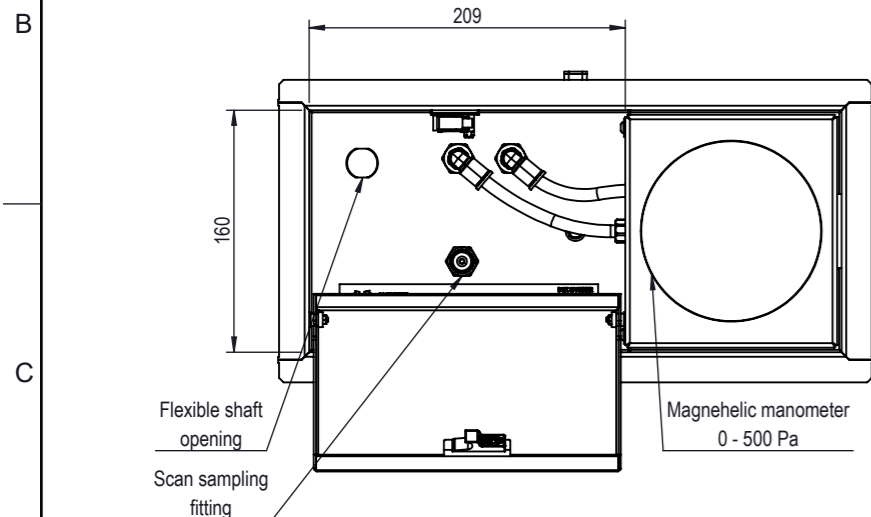


Use copper washer to seal connection between control box and flexible shaft (included)

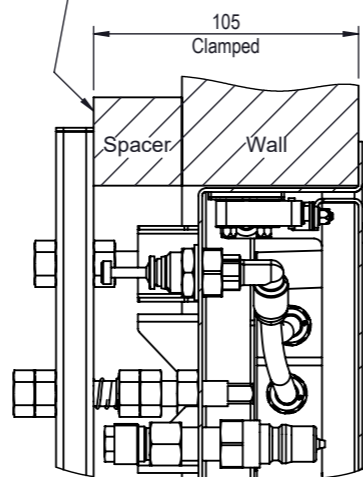
dP port:
PU tube 8 x 6 mm compatible
(3000 mm included)

Scan sampling port
Silicone hose 6 x 10 mm compatible
(1500 mm included)

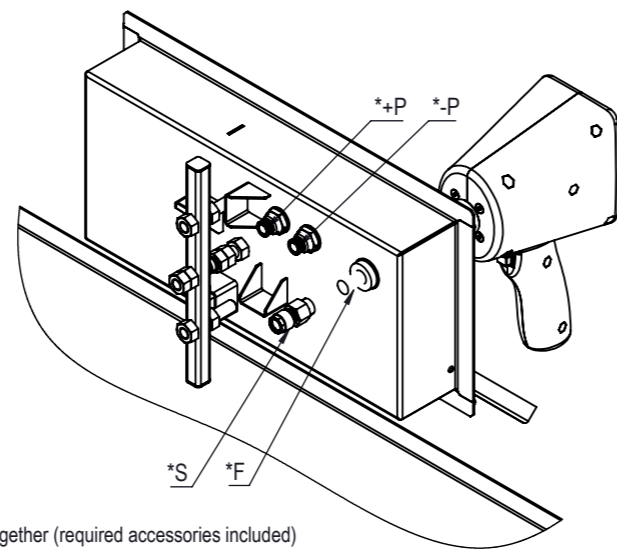
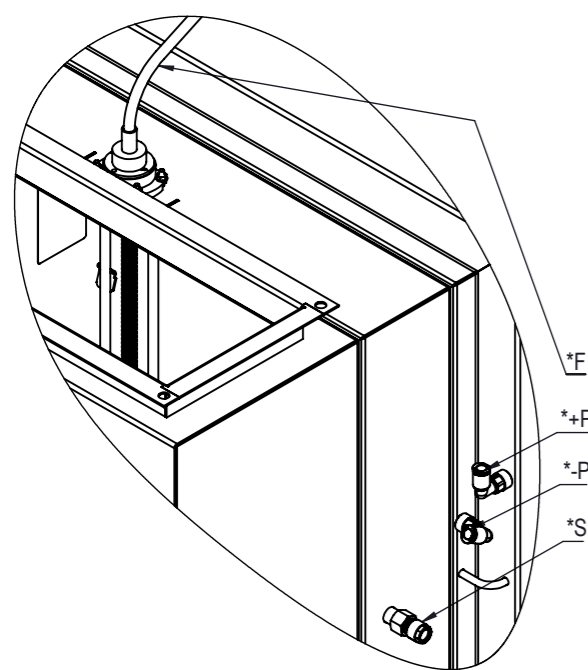
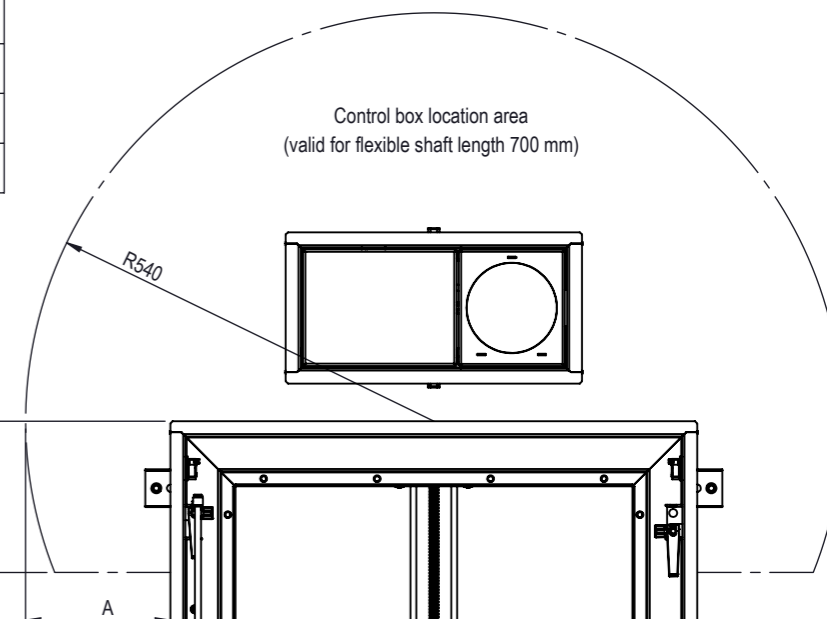
Recommended installation opening: 362 x 170



For wall thickness < 105 mm adequate spacer to be used

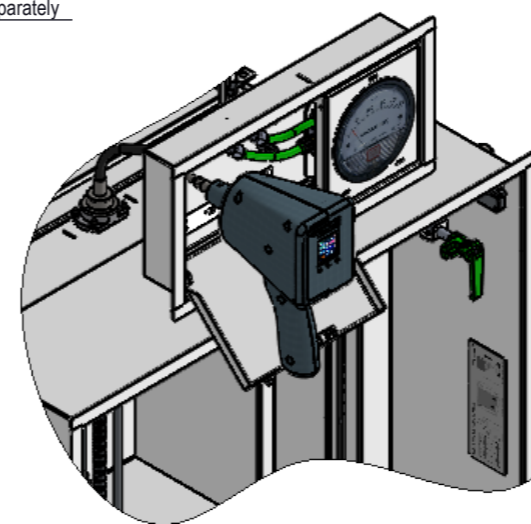


Housing size	Control box location area [mm] (valid for flexible shaft 700mm)	
	A	B
3P3 / 3P6	340	0
6P6	190	0



MIP drive tool not included to be ordered separately

- *+P: Link together (required accessories included)
- *-P: Link together (required accessories included)
- *S: Link together (required accessories included)
- *F: Install to corresponding interface (Flexible shaft 700mm included)



DESCRIPTION CleanSeal Exhaust - Control box			
PROJECT	LAST REVISION 25.10.2021	WEIGHT see drawing	
DRAWING REF. Scope Drawing - CR-V3-P	SHEET 5/5	SIZE A3	

MIP related add-ons, see drawing: Scope Drawing - CR-Add on

NB: The copyright of this drawing remains with Camfil. Contents must not be used, copied or disclosed to third parties without prior written consent. All rights reserved.